

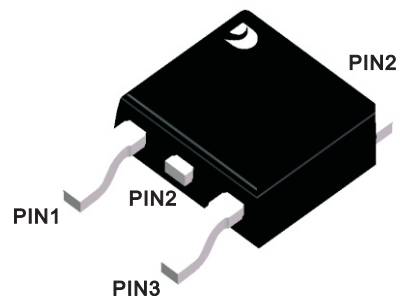


## 5A 650V N-CHANNEL POWER MOSFET

TO-252W(Prefix :D)

### Description

The power MOSFET using **super junction** technology that can realize very low on-resistance and gate charge. It will provide much high efficiency by using optimized charge coupling technology. These user friendly devices give an advantage of Low EMI to designers as well as low switching loss.



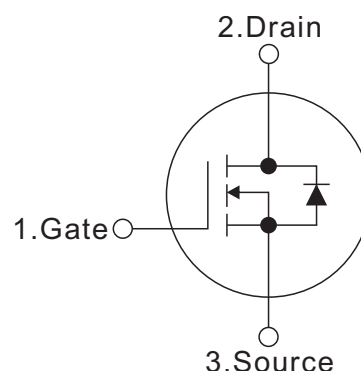
### Features

- $R_{DS(ON)} \leq 0.9 \Omega$  @  $V_{GS}=10V, I_D=2.5A$
- Fast switching capability
- Low On-Resistance
- 100% Avalanche tested
- 100%  $\Delta V_{DS}$  tested

### Mechanical data

- Case: TO-252W
- Approx. Weight: 0.33g ( 0.012oz)
- RoHS compliant
- Case Material: “Green” molding compound, UL flammability classification 94V-0, “Halogen-free”.

### SYMBOL



### Absolute Maximum Ratings (Ta=25°C, Unless Otherwise Specified)

Parameter	Symbols	Ratings	Units
Drain-Source Voltage	$V_{DS}$	650	V
Gate-Source Voltage	$V_{GS}$	$\pm 30$	V
Continuous Drain Current	$I_D$	5 2	A
		$T_c=25^\circ C$ $T_c=100^\circ C$	
Pulsed Drain Current (Note 2)	$I_{DM}$	20	A
Avalanche Energy Single Pulsed (Note 3)	$E_{AS}$	65	mJ
Power Dissipation ( $T_c = 25^\circ C$ )	$P_D$	50	W
Operating junction and storage temperature	$T_J, T_{STG}$	-55 ~ +150	$^\circ C$

Notes:

1. Absolute maximum ratings are those values beyond which the device could be permanently damaged. Absolute maximum ratings are stress ratings only and functional device operation is not implied.
2. Repetitive Rating: Pulse width limited by maximum junction temperature.
3.  $L=10mH, V_{DD}=50V, R_G=25\Omega, \text{Starting } T_J=25^\circ C$

### Thermal Resistance

Parameter	Symbols	Ratings	Units
Thermal resistance, junction – case.	$R_{thJC}$	2.5	$^\circ C/W$
Thermal resistance, junction – ambient(min. footprint)	$R_{thJA}$	63	$^\circ C/W$



Electrical Characteristics (Ta=25°C, Unless Otherwise Specified)

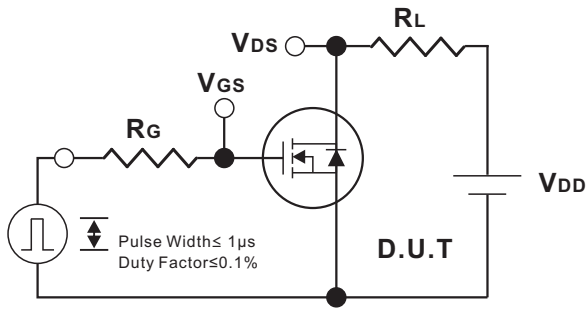
Parameter	Symbols	Test Conditions	Min	Typ	Max	Units
<b>Off Characteristics</b>						
Drain-Source Breakdown Voltage	$BV_{DSS}$	$V_{GS}=0V, I_D=250\mu A$	650			V
Drain-Source Leakage Current	$I_{DSS}$	$V_{DS}=650V, V_{GS}=0V$			1.0	$\mu A$
Gate- Source Leakage Current	Forward	$I_{GSS}$			100	$nA$
	Reverse				-100	
<b>On Characteristics</b>						
Gate Threshold Voltage	$V_{GS(TH)}$	$V_{DS}=V_{GS}, I_D=250\mu A$	2.5		4.5	V
Static Drain-Source On-State Resistance	$R_{DS(ON)}$	$V_{GS}=10V, I_D=2.5A$		0.7	0.9	$\Omega$
Transconductance	$g_{fs}$	$V_{DS}=20V, I_D=2.5A$		5		S
<b>Dynamic Characteristics</b>						
Input Capacitance	$C_{ISS}$	$V_{DS}=50V,$ $V_{GS}=0V,$ $f=1.0MHz$		300		$pF$
Output Capacitance	$C_{OSS}$			25		$pF$
Reverse Transfer Capacitance	$C_{RSS}$			10		$pF$
Gate resistance	$R_G$	$V_{DS}=0V, FREQ=1.00MHz$		6		$\Omega$
<b>Switching Characteristics</b>						
Total Gate Charge (Note 1)	$Q_G$	$V_{DS}=480V, V_{GS}=10V,$ $I_D=2A$ (NOTE1,2)		10.2		$nC$
Gate-Source Charge	$Q_{GS}$			1.5		$nC$
Gate-Drain Charge	$Q_{GD}$			5.4		$nC$
Turn-On Delay Time (Note 1)	$t_{D(ON)}$	$V_{DS}=400V, I_D=2A$ $R_G=10.2\Omega, V_{GS}=10V$ (NOTE1,2)		10		ns
Turn-On Rise Time	$t_R$			8		ns
Turn-Off Delay Time	$t_{D(OFF)}$			51		ns
Turn-Off Fall Time	$t_F$			14		ns
<b>Drain-Source Diode Characteristics And Maximum Ratings</b>						
Maximum Body-Diode Continuous Current	$I_S$				5	A
Drain-Source Diode Forward Voltage (Note 1)	$V_{SD}$	$I_{SD}=5A, V_{GS}=0V$			1.2	V
Reverse Recovery Time (Note 1)	$t_{rr}$	$I_F=2A$ $di/dt=100A/\mu s$		140		ns
Reverse Recovery Charge	$Q_{rr}$			0.71		$\mu C$

Notes:

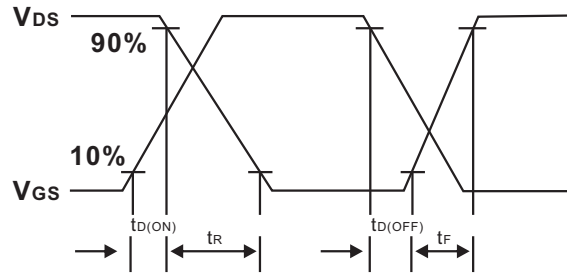
1. Pulse Test: Pulse width  $\leq 300\mu s$ , Duty cycle  $\leq 2\%$ .
2. Essentially independent of operating temperature.



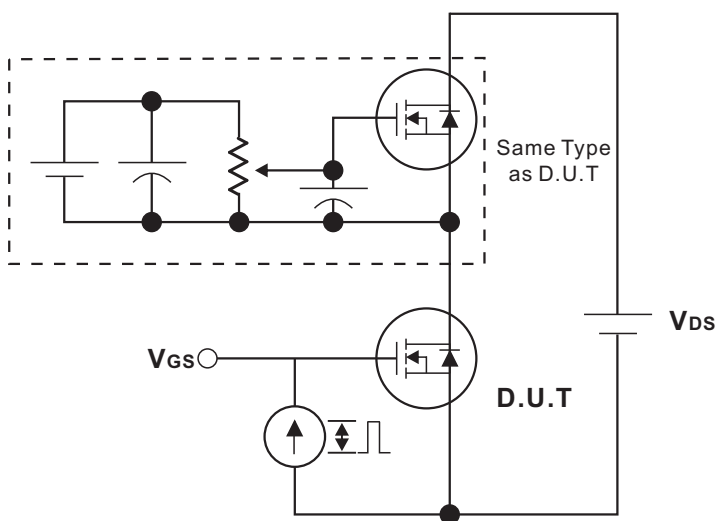
### Test Circuits and waveforms



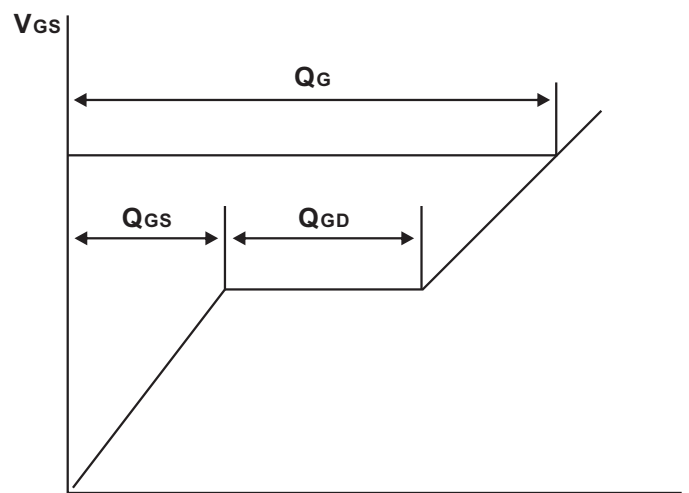
Switching Test Circuit



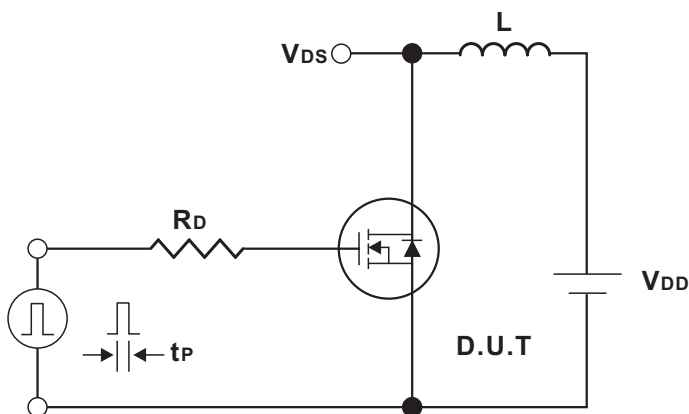
Switching Waveforms



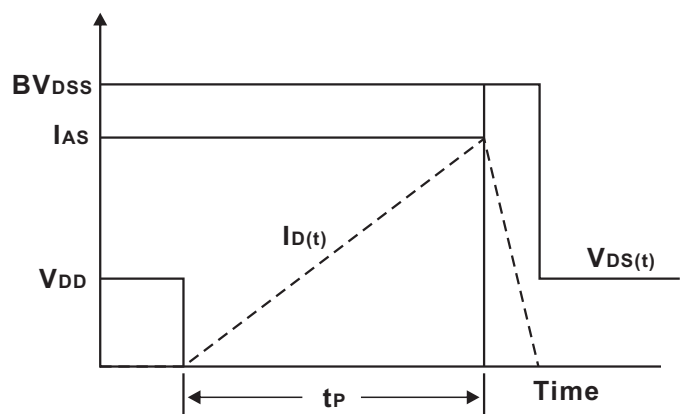
Gate Charge Test Circuit



Charge  
Gate Charge Waveform



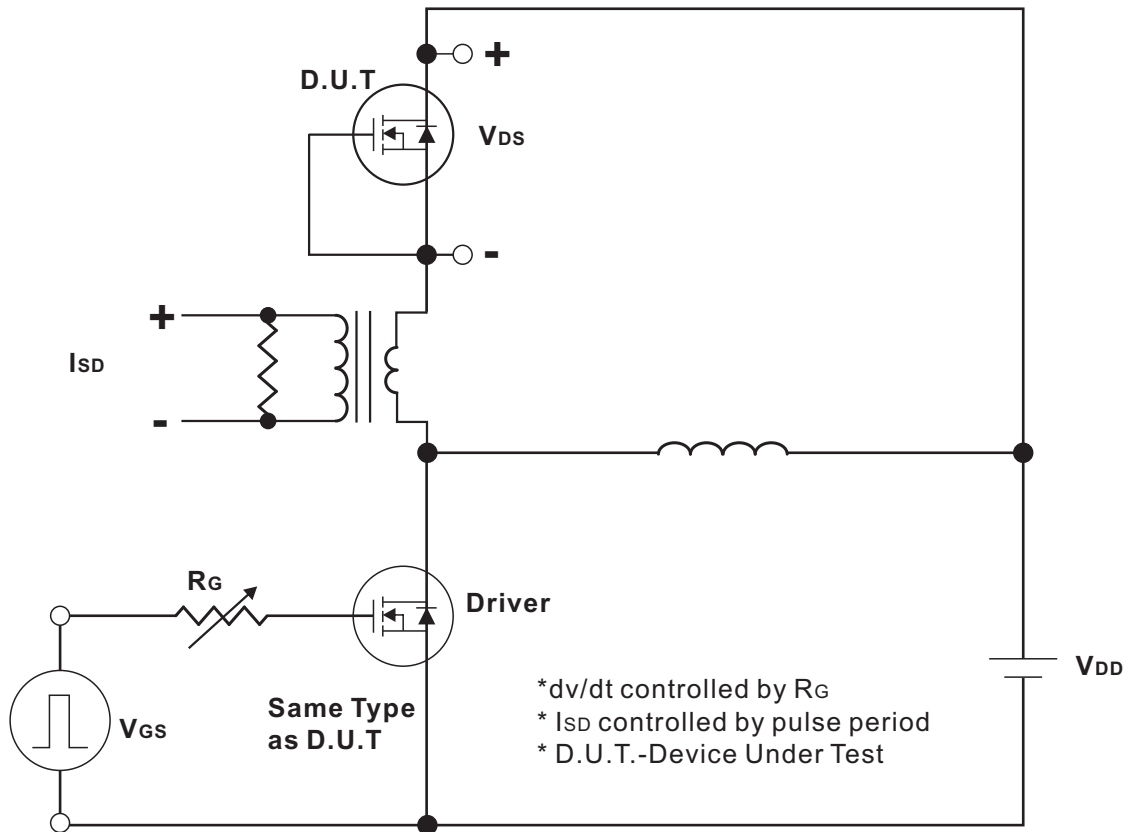
Unclamped Inductive Switching Test Circuit



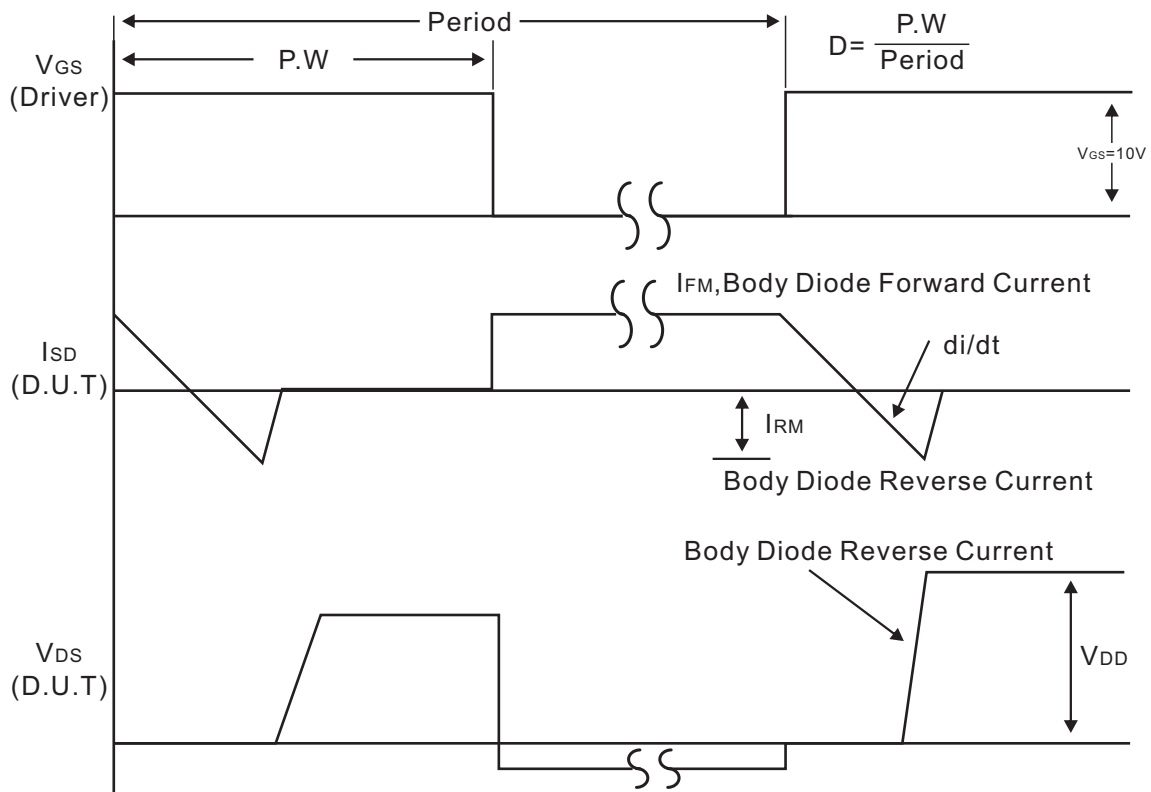
Unclamped Inductive Switching Waveforms



Test Circuits and waveforms



Peak Diode Recovery dv/dt Test Circuit



Peak Diode Recovery dv/dt Waveforms



### Typical Characteristics

Fig.1 Output characteristics

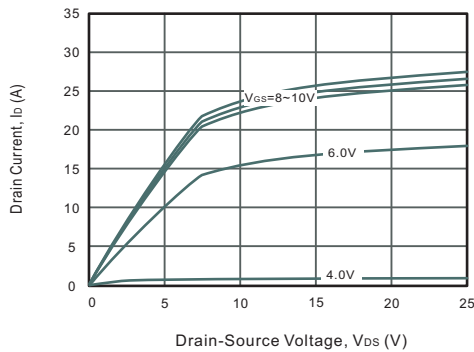


Fig.2 Power Dissipation

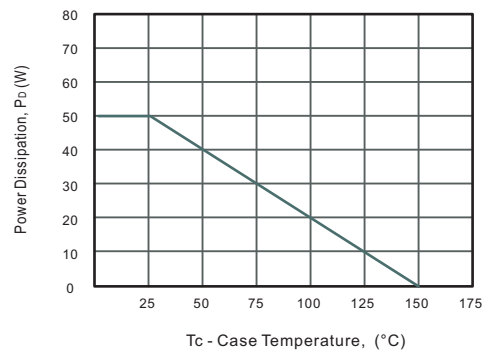


Fig.3 Drain Current Derating

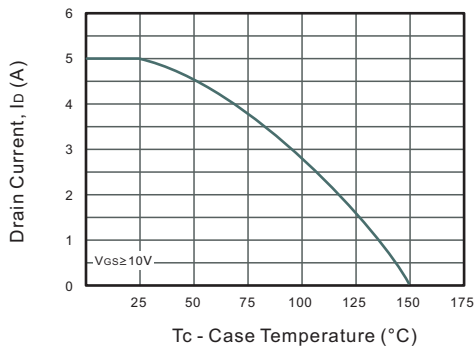


Fig.4 Drain-Source On-Resistance vs. Drain Current

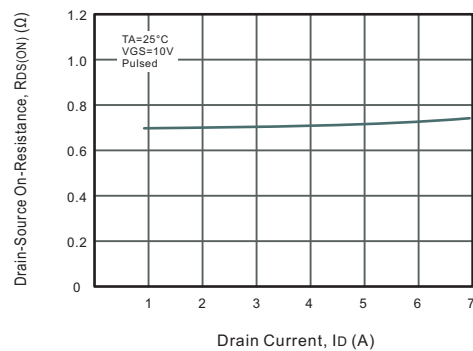


Fig.5 Gate Threshold Voltage vs. Junction Temperature

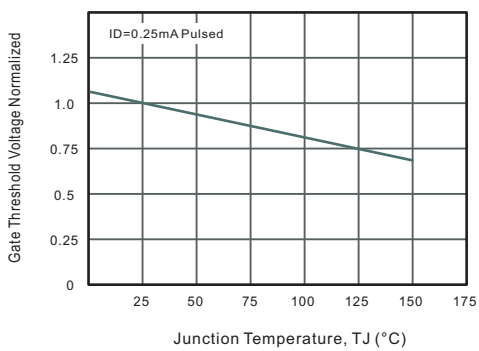


Fig.6 Body-diode Forward Characteristics

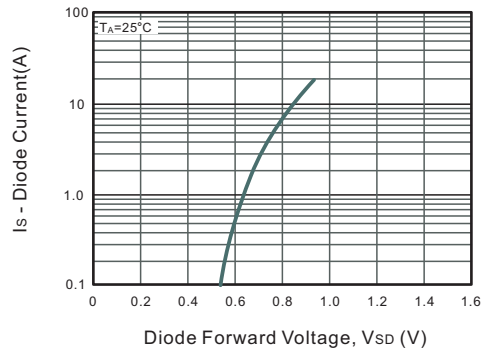


Fig.7 Drain-Source On-Resistance vs. Junction Temperature

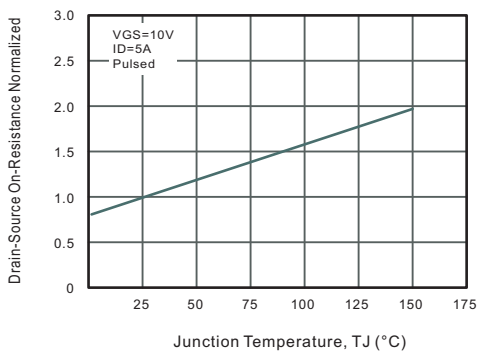
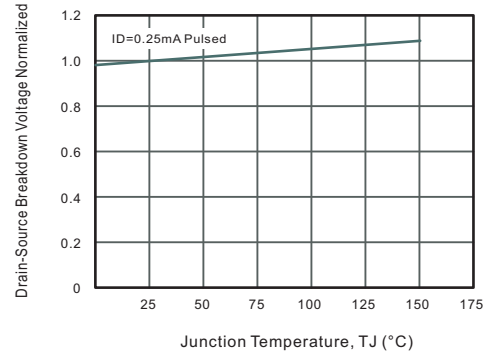


Fig.8 Breakdown Voltage vs. Junction Temperature





### Typical Characteristics

Fig.9 Capacitance Characteristics

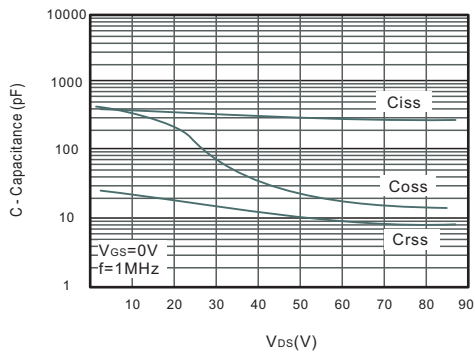


Fig.10 Gate Charge Characteristics

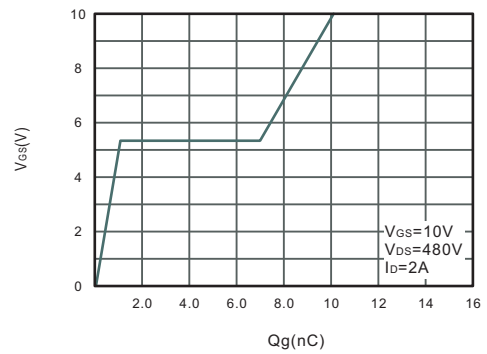


Fig.11 Safe Operating Area

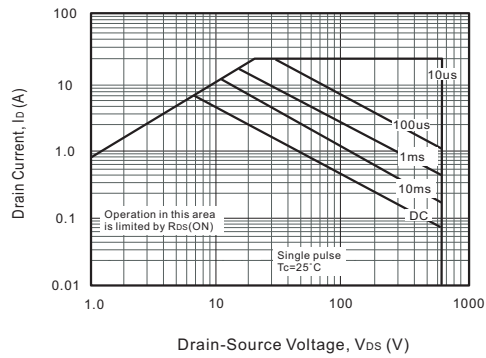
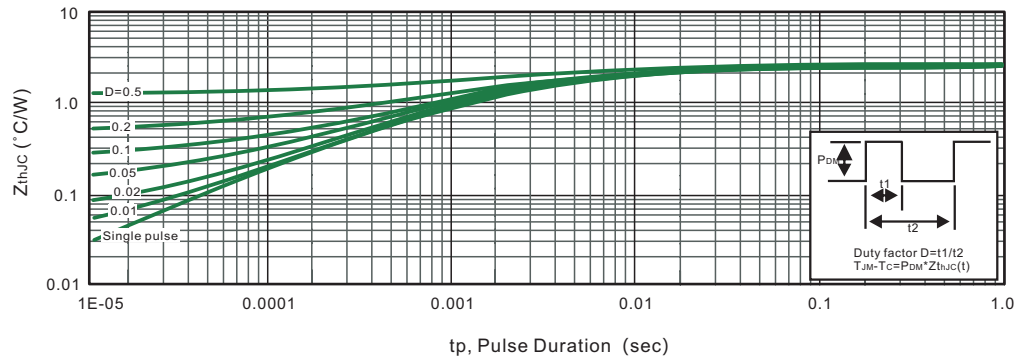
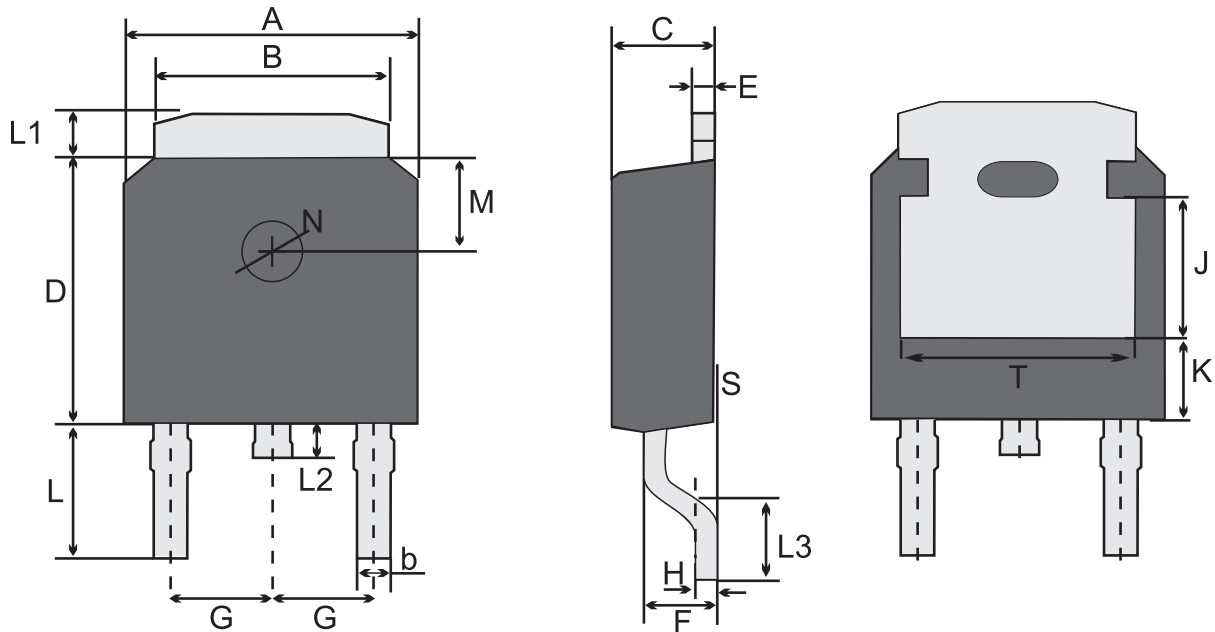


Fig.12 Max. Transient Thermal Impedance





TO-252W(D-PAK) Package Outline Dimensions

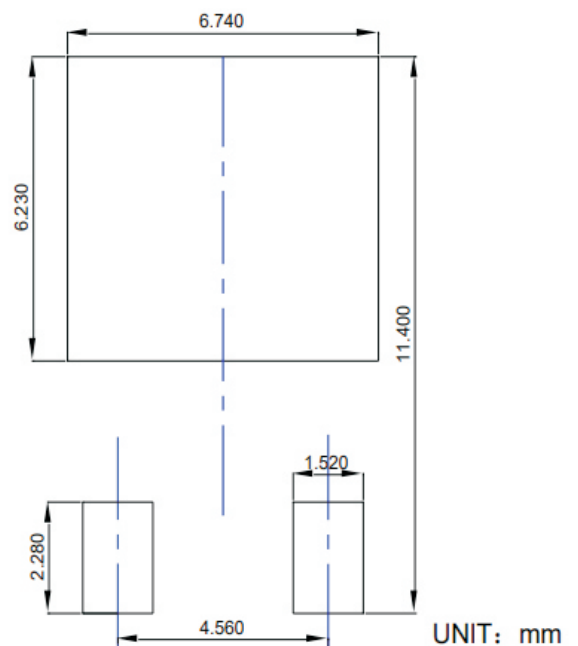


TO-252W(D-PAK)Mechanical data

UNIT		A	B	b	C	D	E	F	G	H	L	L1	L2	L3	S	M	N	J	T	K
mm	max	6.7	5.53	0.86	2.5	6.3	0.61	1.87	2.3 typ.	0.55	3.1	1.2	1.0	1.90	0.1	1.8 typ.	1.3 typ.	3.2 ref.	5.23 ref.	1.8 ref.
	typ	6.6	5.33	0.76	2.3	6.1	0.51	1.57		0.50	2.95	1.0	0.8	1.45	0.05					
	min	6.3	5.13	0.66	2.1	5.9	0.41	1.27		0.45	2.7	0.8	0.6	1.00	/					
mil	max	264	218	34	98	248	24	74	91 typ.	22	121	47	39	75	3.9	71 typ.	51 typ.	126 ref.	206 ref.	71 ref.
	typ	260	210	30	91	240	20	62		20	116	39	31	57	2					
	min	248	202	26	83	232	16	50		18	106	31	24	39	/					

Marking

Type number	Marking code
D65R900TP1	D65R900TP1



SUGGESTED SOLDER PAD LAYOUT



Important Notice and Disclaimer

Jingdao Microelectronics reserves the right to make changes to this document and its products and specifications at any without notice.

Customers should obtain and confirm the latest product information and specifications before final, purchase or use.

Jingdao Microelectronics makes no warranty, representation or guarantee regarding the suitability of its products for any particular purpose, not does Jingdao Microelectronics assume any liability for application assistance or customer product design.

Jingdao Microelectronics does not warrant or accept any liability with products which are purchased or used for any unintended or unauthorized application.

No license is granted by implication or otherwise under any intellectual property rights of Jingdao Microelectronics.

Jingdao Microelectronics products are not authorized for use as critical components in life support devices or systems without express written approval of Jingdao Microelectronics.